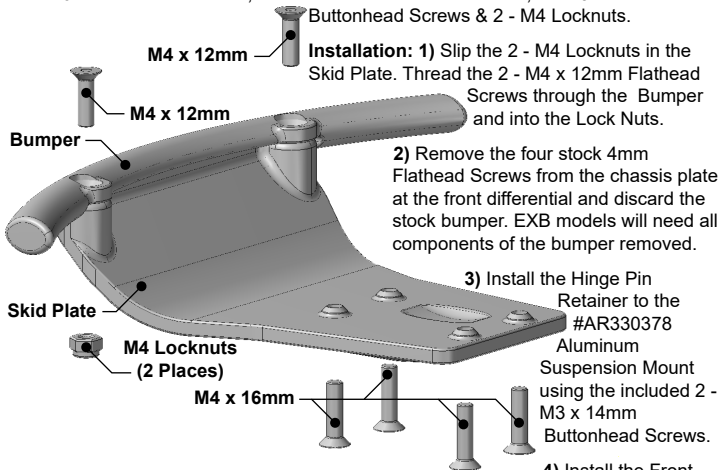


#81812 - ARRMA Kraton V5 & EXB Front Bumper, Skid Plate & Hinge Pin Retainer

What's Included: 1 - Front Bumper, 1 - Front Skid Plate, 1 - Hinge Pin Retainer, 4 - M4 x 16mm Flathead Screws, 2 - M4 x 12mm Flathead Screws, 2 - M3 x 14mm Buttonhead Screws & 2 - M4 Locknuts.



Note: Fits most 6S versions from V5 / EXB models and earlier.